



# **endurance**<sup>TM</sup> *plus 20i*

*indoor gas continuous-flow specifications*

## **thinkcontinuous**

*enjoy the benefits of continuous hot water*

## **thinkcontrol**

*complete temperature control at your fingertips*



**thinkhotwater**

**1300 365 116**

[www.dux.com.au](http://www.dux.com.au)

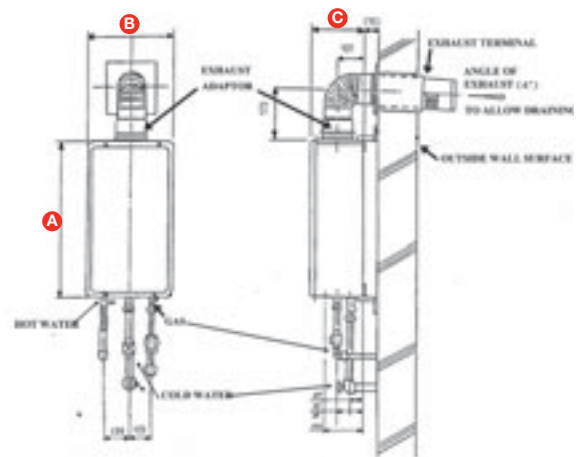
# endurance™ plus 20i

## Why the Dux Endurance™ systems are preferred

- The continuous-flow principle heats water as needed, and is also economical – you pay only for the heated water you use.
- Dux Endurance™ Plus 20i model is available in 20 litres and is ideal for all homes that are lacking outdoor space. This model is available in either natural or LPG gas.
- 5 Star energy rating – very efficient use of gas, reducing running costs and saving natural resources.
- Built-in controller means the convenience of being able to vary hot water temperatures inside the home to suit individual needs (Bathroom areas must be tempered when installing Dux Indoor Endurance™)
- 10 Year Warranty – 10 years on heat exchanger includes 3 years full parts & labour.



SPECIFICATIONS	ENDURANCE PLUS 20i
Hot water capacity	20L/min @ 25°C rise
Minimum water flow	3 litres/minute
Water inlet pressure	150kPa (min) 1200kPa (max)
Water connections	R1/2/15 (1/2" BSP male)
Gas types	Natural Gas and Propane LPG
Gas consumption	160 Mj/hr (high) 17Mj/hr (low)
Gas inlet	R3/4/20
Net weight (kg)	20
Max temp	60°C - 75°C
Controller	Built-in
<b>A</b> Unit Height (mm)	580
<b>B</b> Unit Width (mm)	352
<b>C</b> Unit Depth (mm)	205



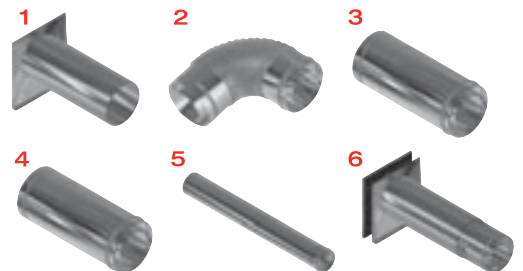
CAPACITY (LITRES)	PEOPLE	HOUSE SIZE
20		3-5 3 bedroom

Adult icon can represent dishwasher or washing machine. An adult icon does not represent a spa bath.

## Fluing

Endurance™ indoor must be flued. A basic wall fluing kit is available, code IEFK. Basic flue kit comes complete with the following components: flue adaptor, 90° bend, wall mount and exhaust terminal. Straight additions are available as separate items, as required.

DESCRIPTION	CODE
<b>1</b> Flue adaptor	H9032
<b>2</b> 90° bend	H9030
<b>3</b> Adjustable extension	H9036
<b>4</b> Adjustable extension	H9035
<b>5</b> Full extension	H9034
<b>6</b> 2 Part wall terminal	H9033



## Contact Dux for your Hot Water Solutions

Sales: 1300 365 116 Service: 1300 365 115 Web Site: [www.dux.com.au](http://www.dux.com.au)  
 © Dux Manufacturing Limited ABN 19 077 879 844. Lackey Rd, PO Box 209 Moss Vale, NSW 2577  
 The information supplied was correct at time of printing. Specification and materials may change without notice.  
 ® and ™ indicate trademarks of Dux Manufacturing Limited. Dux Manufacturing Limited is proudly Australian owned.